



RowControl™



RowControl+™



SurfaceDrive™



GroundControl™



FlexSeeder™



INNOVATIVE FLEXIBLE SHAFT SOLUTIONS

PLANT SMARTER. GROW YOUR PROFITS.





PRECISE, MORE PROFITABLE PLANTING

Agriculture Solutions

Catalog Contents

Smart Solutions for Agriculture	3
RowControl™ Drive System	4
SurfaceDrive™ Drive System	6
GroundControl™ Drive System.....	8
FlexSeeder™ Drive System	10
About Elliott Mfg and Locations	12

www.elliottmfg.com

A farmer's day can be long and challenging. At Elliott Manufacturing, we look for smart and innovative flexible shaft solutions to make that time in the field a little easier, more efficient, and more profitable.



Since 2003, Elliott has produced over 2 million flexible drive assemblies to fit most planters on the market today. Our flexible drive and control shaft products bring enhanced performance to original equipment machinery and offer simple and dependable aftermarket upgrades for an ongoing return on your investment.

Agricultural environments are harsh, which is why all of Elliott's mechanical solutions are environmentally sealed, ensuring years of maintenance-free use and reliability.

Our flexible planting products provide mechanical advantages without the need for additional power sources. If your planter has a toolbar, you already have all the power you need to drive any one of our precision planting products.

We invite you to learn more about our award-winning, cost-effective agricultural technology today. The following pages offer detail on our RowControl, SurfaceDrive, GroundControl and FlexSeeder drive systems. For immediate assistance or to place an order, please call 607.772.0404 or email fssales@elliottmfg.com.

Elliott Has A History of Improving How Farmers Plant



2003

Began production of agricultural seeders for John Deere equipment.



2013

Added production of agricultural seeders for Case IH and AGCO.



2016

Launched RowControl and SurfaceDrive products for the agricultural aftermarket.



EASY UPGRADE TO MORE CONTROL

RowControl™ Drive System

Return on investment gets that much easier when it's an investment you already own.

If you have a John Deere planter with Pro-Shaft™ drives and want to add an inline clutch, you need Elliott's RowControl product, our easy-to-install solution for individual on/off row control.

Elliott Manufacturing RowControl and RowControl+ Systems

- Adds individual on/off row control to your current system for maximum productivity
- Easy to install, allowing you to get to work quickly
- Maintenance-free for uninterrupted performance
- No additional row unit modifications required—just plug and plant
- Easily integrates via existing Climate Fieldview™ II wiring harness for smoothest operation
- Interfaces with standard planter control software, for simple set-up

A RowControl product from Elliott Manufacturing lets you easily add an inline clutch to your original John Deere Pro-Shaft™ Drive Seed Meter.



RowControl+ Drive System



RowControl Drive System

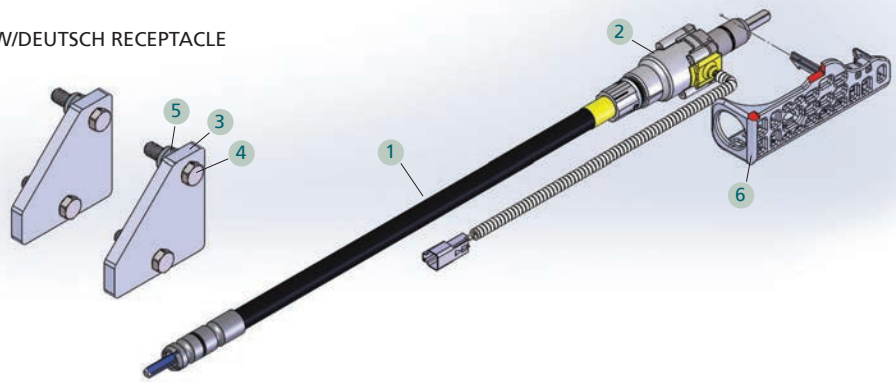
If you run John Deere Pro-Shaft Drives, you know the power of flexible shafts. With our RowControl product, you can extend the life of your planter, while adding individual on/off row control via our proprietary clutch technology.

RowControl+ Drive System

Use Elliott's RowControl+ solution if you're looking to upgrade from chains and sprockets. You can choose RowControl+ with or without a clutch for a long-lasting, maintenance-free solution to your planter upgrade.

RowControl Assembly

- 1 .375 FLEXIBLE SHAFT ASSEMBLY
- 2 REVERSE LOGIC CLUTCH ASSEMBLY, RH W/DEUTSCH RECEPTACLE
- 3 JD 7200/7300/1770 ROW UNIT STOP
- 4 SCREW, HEX HD CAP 1/2-13 X 2
- 5 LOCK NUT, ELASTIC STOP, 1/2-13 THD
- 6 CLUTCH BRACKET



John Deere® | Planter Model: Pro-Shaft™ Drive | Description: RowControl, Elliott Clutch + Flex Cable

Elliott PN	Deere PN	Elliott PN	Deere PN	Elliott PN	Deere PN	Elliott PN	Deere PN
15067-115	AA56140	15067-101	AA57527	15067-107	AA57581	14778-130	AA61273
15067-111	AA56141	15067-123	AA57539	14778-108	AA57582	15067-125	AA61274
14778-112	AA56142	14778-124	AA57540	15067-113	AA57583	15067-127	AA61275
15067-119	AA56143	14778-106	AA57542	14778-114	AA57584	15067-129	AA61276
15067-121	AA56144	15067-103	AA57543	14778-116	AA61269	15067-132	AA62436
14778-120	AA56145	14778-104	AA57544	15067-131	AA61270	15067-133	AA62437
14778-122	AA57524	14778-118	AA57578	14778-126	AA61271	14778-134	DQ58915
14778-102	AA57526	14778-110	AA57580	14778-128	AA61272	14778-139	AKK11424

With a RowControl drive system, you can realize a substantial seed savings versus overplanting. To learn more call 607.772.0404 or visit www.elliottmfg.com.



HIGHER YIELDS AT A LOWER COST

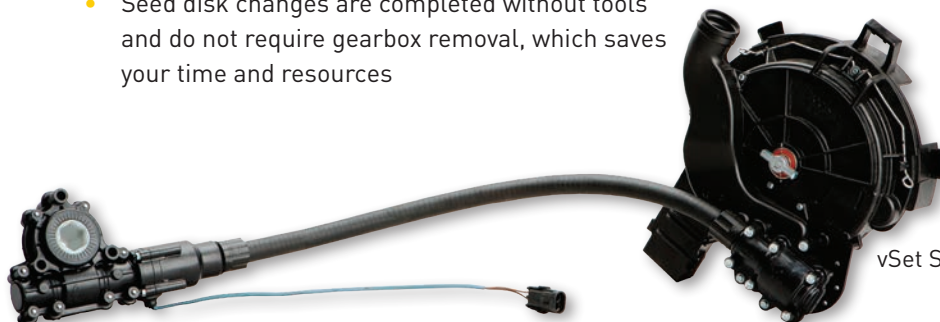
SurfaceDrive™ Drive System

Save seeds, time, and operating costs with our smart and versatile, maintenance-free drive solution.

If you're using Precision Planting's vSet® seed meter, you need a SurfaceDrive system, Elliott's mechanical drive that uses the power from your own toolbar to drive the meter. It easily attaches to your existing vSet seed meter for accuracy and reliability never before seen on a mechanical system. And our SurfaceDrive solution offers on/off row control using Elliott's proprietary clutch technology.

Elliott Manufacturing SurfaceDrive System

- Available with or without a clutch for individual row control
- Easy to install, allowing you to get to work quickly
- Maintenance-free for uninterrupted performance
- Meets IP-66 ingress protection standard for added safety
- Compatible with any 3/4" or 7/8" toolbar for easiest integration
- Seed disk changes are completed without tools and do not require gearbox removal, which saves your time and resources



vSet Seed Meter not included.

A SurfaceDrive system from Elliott Manufacturing is the smart and simple mechanical alternative to an electric drive.

SurfaceDrive Clutched Assembly

- 1 FLEXIBLE SHAFT ASSEMBLY, SANTOPRENE COVERED
- 2 REVERSE LOGIC CLUTCH ASSEMBLY, RH W/DEUTSCH RECEPTACLE
- 3 JD 7200/7300/1770 ROW UNIT STOP
- 4 SCREW, HEX HD CAP 1/2-13 X 2
- 5 LOCK NUT, ELASTIC STOP, 1/2-13 THD
- 6 CLUTCH BRACKET
- 7 vSET 2 GEAR BOX ASSEMBLY FOR RH CORE



AGCO | Planter Model: 8000/9000 | Description: Varies

Elliott PN	Description
14972-102	SurfaceDrive Assy - vSet 2 w/Clutch
14972-104	SurfaceDrive Assy - vSet Classic - w/Clutch

Planter Compatibility*

AGCO: 8000/9000 Series

Case IH: 1200 Series

John Deere: 17xx, 7000, 7100, 7200, 7300, DB-Series

Kinze: 3000 Series

**Other configurations are available, some restrictions apply.*

Case IH | Planter Model: 1200 Series | Description: Varies

Elliott PN	Description
14575-100	SurfaceDrive Assy - vSet 2- w/Clutch, 14" Cable, Overall Length 30"
14575-101	SurfaceDrive Assy - vSet 2- w/Clutch, 20" Cable, Overall Length 36"
14575-102	SurfaceDrive Assy - vSet 2- w/Clutch, 24" Cable, Overall Length 40"
14970-100	SurfaceDrive Assy - vSet 2- w/o Clutch, 14" Cable, Overall Length 30"
14970-101	SurfaceDrive Assy - vSet 2- w/o Clutch, 20" Cable, Overall Length 36"
14970-102	SurfaceDrive Assy - vSet 2- w/o Clutch, 24" Cable, Overall Length 40"

Requirements

- vSet Seed Meter
- Hopper Kit from Precision Planting
- Toolbar driven planter (3/4" or 7/8")

John Deere® | Planter Model: Pro-Shaft™ Drive | Description: SurfaceDrive - vSet 2 for JD ProDrive w/Clutch

Elliott PN	Deere PN	Elliott PN	Deere PN	Elliott PN	Deere PN	Elliott PN	Deere PN
15104-115	AA56140	15104-107	AA57581	14639-115	AA56140	14639-107	AA57581
15104-111	AA56141	15104-108	AA57582	14639-111	AA56141	14639-108	AA57582
15104-112	AA56142	15104-113	AA57583	14639-112	AA56142	14639-113	AA57583
15104-119	AA56143	15104-114	AA57584	14639-119	AA56143	14639-114	AA57584
15104-121	AA56144	15104-116	AA61269	14639-121	AA56144	14639-116	AA61269
15104-120	AA56145	15104-131	AA61270	14639-120	AA56145	14639-131	AA61270
15104-122	AA57524	15104-126	AA61271	14639-122	AA57524	14639-126	AA61271
15104-102	AA57526	15104-128	AA61272	14639-102	AA57526	14639-128	AA61272
15104-101	AA57527	15104-130	AA61273	14639-101	AA57527	14639-130	AA61273
15104-123	AA57539	15104-125	AA61274	14639-123	AA57539	14639-125	AA61274
15104-124	AA57540	15104-127	AA61275	14639-124	AA57540	14639-127	AA61275
15104-106	AA57542	15104-129	AA61276	14639-106	AA57542	14639-129	AA61276
15104-103	AA57543	15104-132	AA62436	14639-103	AA57543	14639-132	AA62436
15104-104	AA57544	15104-133	AA62437	14639-104	AA57544	14639-133	AA62437
15104-118	AA57578	15104-134	DQ58915	14639-118	AA57578	14639-134	DQ58915
15104-110	AA57580	15104-139	AKK11424	14639-110	AA57580	14639-139	AKK11424

Kinze | Planter Model: 3000 | Description: Varies

Elliott PN	Description
14570-26SR-514	SurfaceDrive Assy - vSet 2 w/Clutch
14572-26SR-514	SurfaceDrive Assy - vSet 2 w/o Clutch
14570-26SR-598	SurfaceDrive Assy - vSet 2 w/Clutch for Setback Rows
14572-26SR-598	SurfaceDrive Assy - vSet 2 w/o Clutch for Setback Rows

With Elliott's SurfaceDrive solution, you can save money and power draw with results on par with electric drives. Call 607.772.0404 or visit www.elliottmfg.com.



EXTENDS THE LIFE OF YOUR INVESTMENT

GroundControl™ Drive System

Manage input cost, increase yields, and improve your harvest capabilities better than ever before.

Just because John Deere® no longer offers spare parts for its RowCommand™ product doesn't mean you can't continue to benefit from your investment for years to come. Elliott's GroundControl system is a better, fully compatible row control replacement for Pro-Shaft™ drive planters. Our rugged GroundControl design includes enhanced, longer-lasting features to help you prevent wasted seeds and produce more even field edges.

Elliott Manufacturing GroundControl System

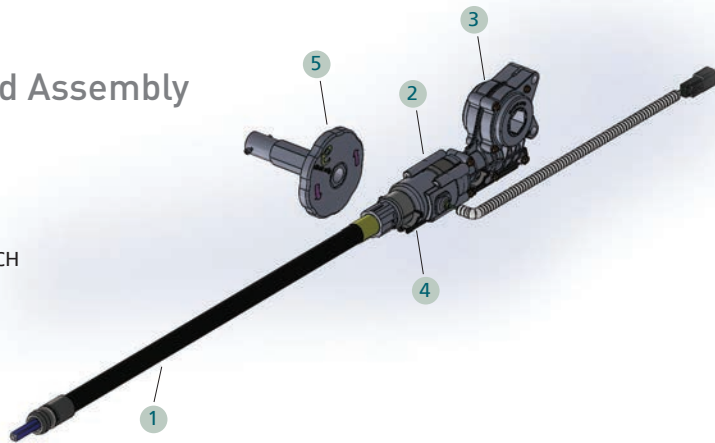
- Non-indexing clutch offers better and faster control of seed meter
- Reinforced knob with durable aluminum interface and self-locking screws lasts longer
- Easy to install, allowing you to get to work quickly
- Maintenance-free for uninterrupted performance
- Smart placement of clutch on the seed meter side frees up valuable toolbar space for aftermarket down force options

A GroundControl drive system from Elliott Manufacturing is your simple and better replacement for John Deere® RowCommand™.



GroundControl Clutched Assembly

- 1 FLEXIBLE SHAFT ASSEMBLY
- 2 SEEDMETER CLUTCH ASSEMBLY
- 3 GEARBOX ASSEMBLY
- 4 SEEDMETER CLUTCH BRACKET
- 5 KNOB ASSEMBLY, SEEDMETER CLUTCH



A Better Knob Saves You Time and Money

Elliott's knob is reinforced with self-locking set screws to improve durability. The original plastic knob features spring fingers that snap into the seed meter shaft and easily break. Our seed meter interface is reinforced aluminum, and is literally, the last knob you will ever buy.

John Deere® | Planter Model: Pro-Shaft™ Drive | Description: GroundControl, Seed Meter Clutch Assembly

Elliott PN	Deere PN	Elliott PN	Deere PN	Elliott PN	Deere PN	Elliott PN	Deere PN
15132-115	AA56140	15132-101	AA57527	15132-107	AA57581	15132-130	AA61273
15132-111	AA56141	15132-123	AA57539	15132-108	AA57582	15132-125	AA61274
15132-112	AA56142	15132-124	AA57540	15132-113	AA57583	15132-127	AA61275
15132-119	AA56143	15132-106	AA57542	15132-114	AA57584	15132-129	AA61276
15132-121	AA56144	15132-103	AA57543	15132-116	AA61269	15132-132	AA62436
15132-120	AA56145	15132-104	AA57544	15132-131	AA61270	15132-133	AA62437
15132-122	AA57524	15132-118	AA57578	15132-126	AA61271		
15132-102	AA57526	15132-110	AA57580	15132-128	AA61272		

With a GroundControl drive solution, you can easily replace your RowCommand system and reap better results. To learn more call 607.772.0404 or visit www.elliottmfg.com.



SIMPLIFIES PLANTING AND SAVES MONEY

FlexSeeder™ Drive System

FlexSeeder easily upgrades existing planting systems with state-of-the-art drive technology.

Elliott's FlexSeeder system transfers rotary power through gear boxes to sequence seed delivery in one application — a smart replacement for high-maintenance chain and sprocket drives. The fully sealed flexible shaft requires no servicing and gives you an economical, reliable solution for years to come.

Elliott Manufacturing FlexSeeder System

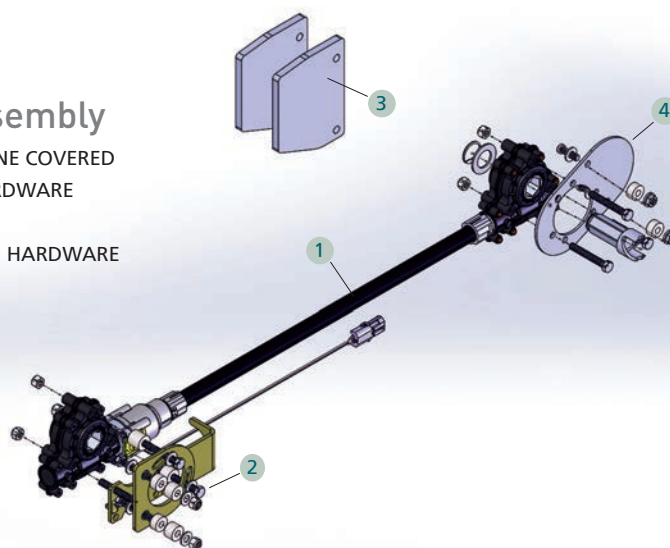
- Available with or without a clutch for individual row control
- Easy to install, allowing you to get to work quickly
- Reduces skips and doubles to eliminate overplanting in headlands and point rows
- Delivers increased yields and substantial seed savings
- Completely sealed system is pressure washer friendly: IP66 compliant
- No lubrication or spring/winter maintenance required
- No crop/chain disengagement or chain/sprocket alignment issues

A FlexSeeder solution from Elliott Manufacturing eliminates chains and sprockets to drive your original Seed Meter.



FlexSeeder Clutched Assembly

- 1 FLEXIBLE SHAFT ASSEMBLY, SANTOPRENE COVERED
- 2 TOOLBAR/CLUTCH BRACKETS AND HARDWARE
- 3 ROW UNIT STOP
- 4 SEED METER BRACKET, HEX DRIVE AND HARDWARE



John Deere® | Planter Model: Varies | Description: Varies

Elliott PN	Planter Model	Description
14558-22SR-498	7000, 7100	FlexSeeder - w/Clutch
14558-22SR-1458	7000, 7100	FlexSeeder - w/Clutch
14559-23SR-532	7200, 7300, 1700	FlexSeeder - w/Clutch for Mechanical System
14559-23SR-570	7200, 7300, 1700	FlexSeeder - w/Clutch for Vacuum System
14570-22SR-498	7000, 7100	FlexSeeder - w/o Clutch
14571-23SR-532	7200, 7300, 1700	FlexSeeder - w/o Clutch for Mechanical System
14571-23SR-570	7200, 7300, 1700	FlexSeeder - w/o Clutch for Vacuum System

Kinze | Planter Model: 3000 | Description: Varies

Elliott PN	Description
14560-22SR-498	FlexSeeder - for Kinze 3000 Mechanical w/Clutch
14560-22SR-548	FlexSeeder - for Kinze 3000 Vacuum w/Clutch
14560-22SR-600	FlexSeeder - for Kinze 3000 Mechanical Setback Row w/Clutch
14572-22SR-498	FlexSeeder - for Kinze 3000 Mechanical w/o Clutch
14572-22SR-548	FlexSeeder - for Kinze 3000 Vacuum w/o Clutch

A FlexSeeder drive system allows you to make an easy upgrade that can pay for itself in one season. Call 607.772.0404 or visit www.elliottmfg.com.



Global Locations

Elliott Mfg. USA

11 Beckwith Avenue
Binghamton NY 13901
Tel: +1 607 772 0404
Email: fssales@elliottmfg.com

Elliott Mfg. Europe

Unit 601, Access 10 Business Park
Bentley Road South,
Darlaston, West Midlands, WS10 BLQ
United Kingdom
Tel: +44 (0) 121 270 3913

Elliott Mfg. China

Actuant (China) Industries Co., Ltd
No.6 East Nanjing Road, Taicang
Jiangsu, China 215400
Tel +86 (0)512 5328 7500

Turotest Meter Ltd.

Avenida Luiz Merenda, 489 - Campanário
Diadema- São Paulo Brasil - CEP: 09931-390
(11) 4092-7200

About Elliott Manufacturing

Elliott Manufacturing is a worldwide leader in flexible shaft systems that safely and efficiently transmit rotational power. Founded in 1932, our product portfolio has evolved to include flexible shaft assemblies, casings, and push-pull control assemblies. Over the years, our engineering expertise, thoughtful investments in research and development, and ongoing commitment to best-in-class manufacturing have placed us at the forefront of our industry.

Look for Elliott's versatile and innovative transmission technology in the most challenging and rugged environments around the globe, in a diverse range of industries, including:

- Aerospace
- Agriculture
- Construction
- Defense
- Industrial
- Marine
- Medical
- Outdoor Power Equipment
- Power Gen

Elliott Manufacturing is wholly owned by Actuant Corporation, a diversified industrial company serving customers from operations in more than 30 countries. Actuant businesses are leaders in a broad array of niche markets, including branded hydraulic tools and solutions; specialized products and services for energy markets; and highly engineered position and motion control systems. www.actuant.com

www.elliottmfg.com

